

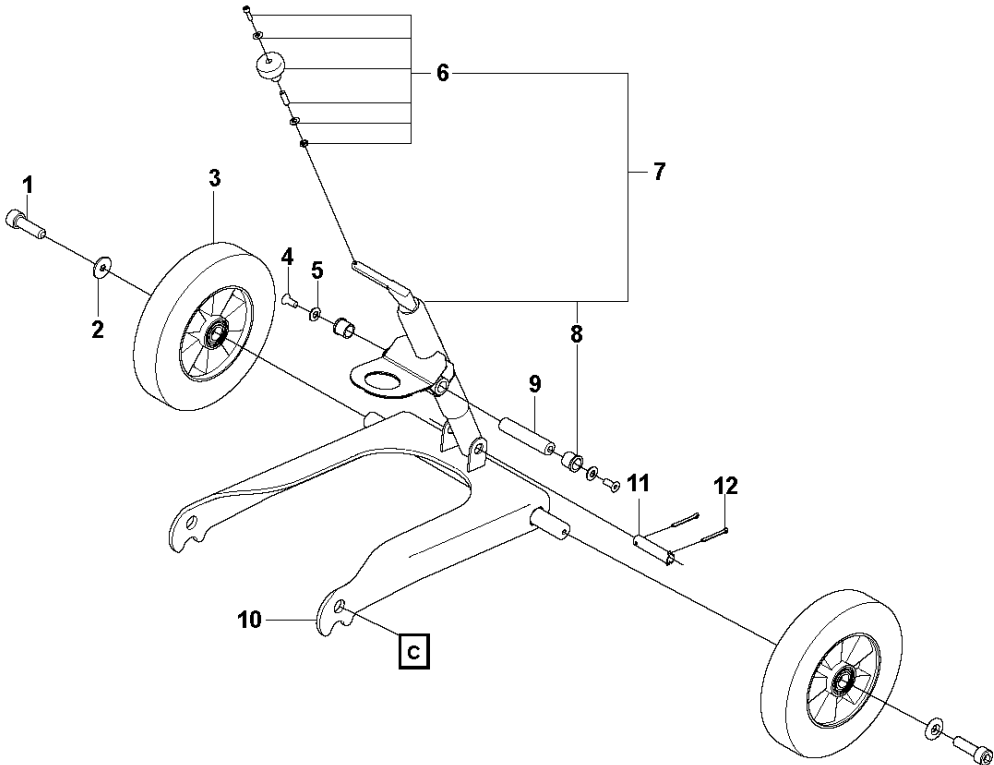


SPARE PARTS LIST

SURFACE PREPARATION EQUIPMENT

PG 400, from serial number 148 and
forward, 2012-05

B PG400

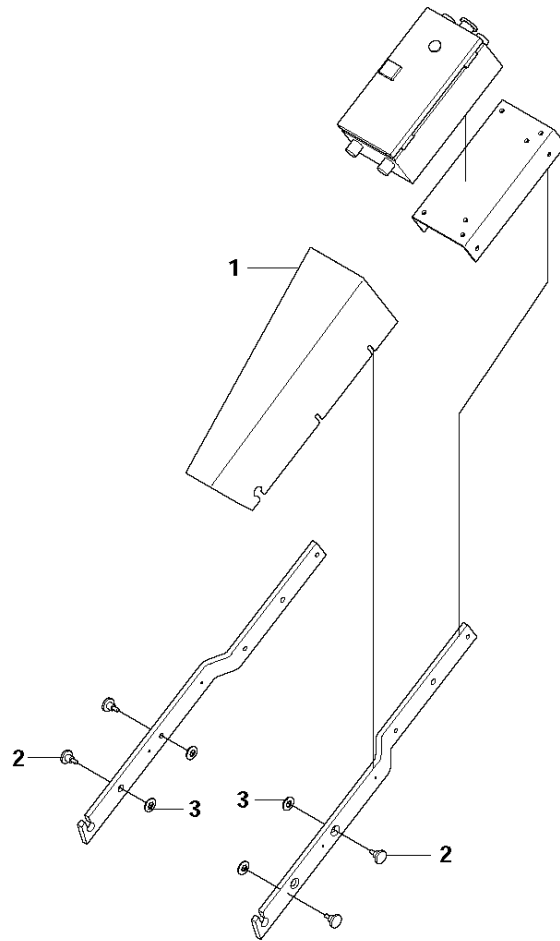


CHASSIS / FRAME

PG 400, from serial number 148 and forward, 2012-05

Ref	Part No	Description	Remark	QTY	KIT
1	725 53 70-51	SCREW IHSCM		2	
2	575 39 51-01	WASHER		2	
3	502 54 50-01	WHEEL		2	
4	725 24 93-76	SCREW EHHM		2	
5	734 11 72-01	WASHER		2	
6	574 56 89-01	KIT		1	7
7	574 70 32-02	ADJUSTING SCREW		1	
8	510 21 75-01	BUSHING		2	7
9	510 23 90-01	SHAFT PIVOT		1	
10	576 14 97-01	CHASSIS		1	
11	510 21 57-01	LOCKING PIN		1	
12	721 62 16-01	SPLIT PIN		2	

D PG400



⚠ WARNING	
<p>CAUTION To reduce the risk of injury from moving parts, unplug before servicing.</p> <p>ATTENTION - DISCONNECT FROM SUPPLY BEFORE ANYTIME OPENING - To reduce the risk of electric shock, unplug before servicing or working. - To reduce the risk of electric shock, do not expose to rain, water, humidity, and oil this power. - Do not use For Household and Commercial Use</p>	<p>ATTENTION Afin de réduire le risque de blessure dû aux pièces mobiles, débranchez le matériel avant toute opération d'entretien.</p> <p>AVERTISSEMENT ARRÊTEZ LE MOTEUR DE COURANT AVANT TOUTE OPÉRATION DE L'OUVERTURE. - Afin de réduire le risque de choc électrique, débranchez le matériel avant toute opération de nettoyage ou d'entretien. - Afin de réduire le risque de choc électrique, n'exposez pas le matériel à la pluie, l'humidité et l'huile. - Afin de réduire le risque de choc électrique, gardez le matériel à l'abri de la pluie ou des autres conditions météorologiques. - N'utilisez pas Pour une utilisation domestique et professionnelle.</p>

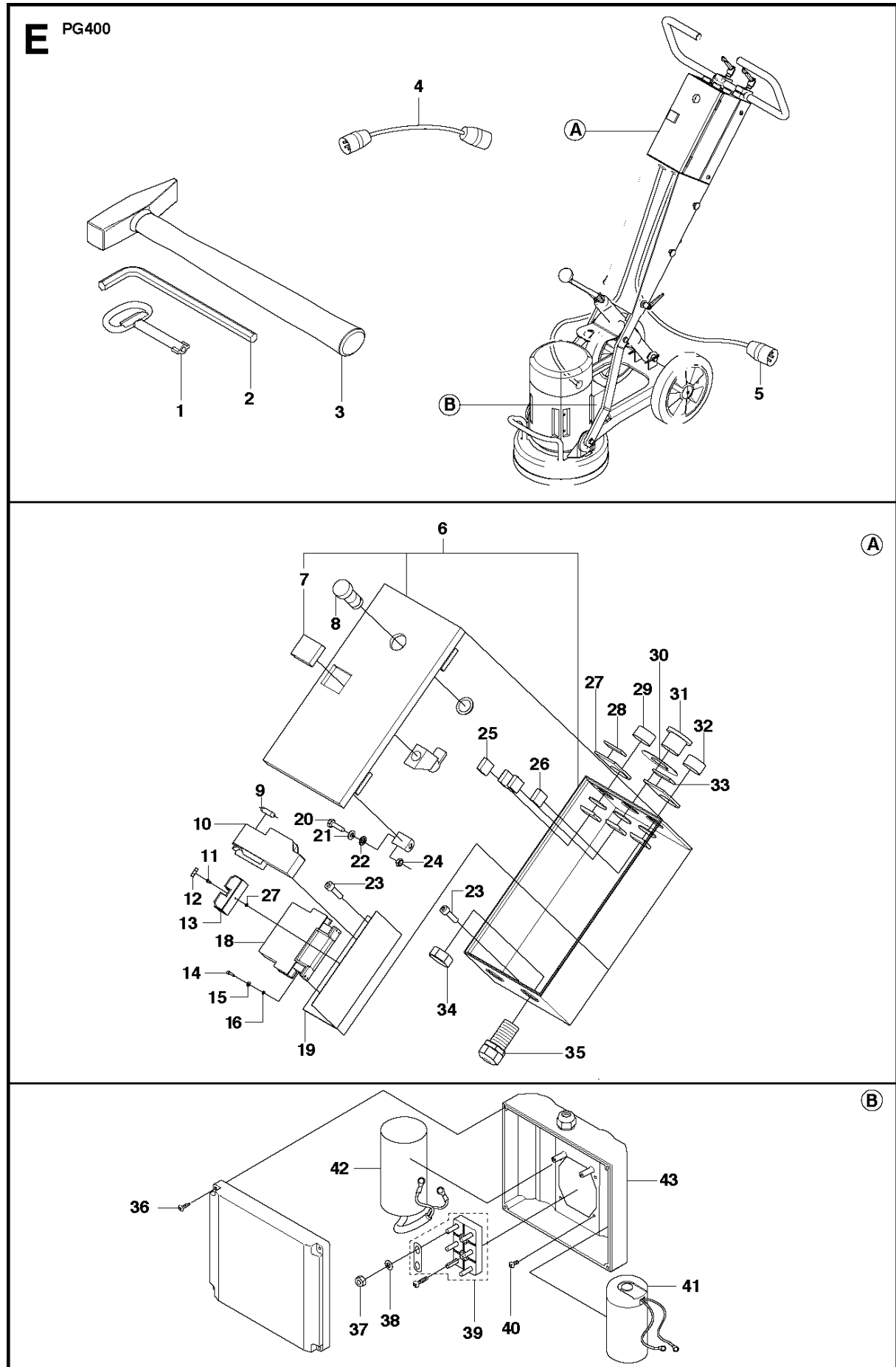
4

5

DUST COVER

PG 400, from serial number 148 and forward, 2012-05

Ref	Part No	Description	Remark	QTY KIT
1	510 22 81-01	DUST COVER		1
2	510 36 16-01	SCREW		2
3	734 11 52-60	WASHER		2
4	574 44 57-01	LABEL		1
5	578 31 04-01	DECAL		1

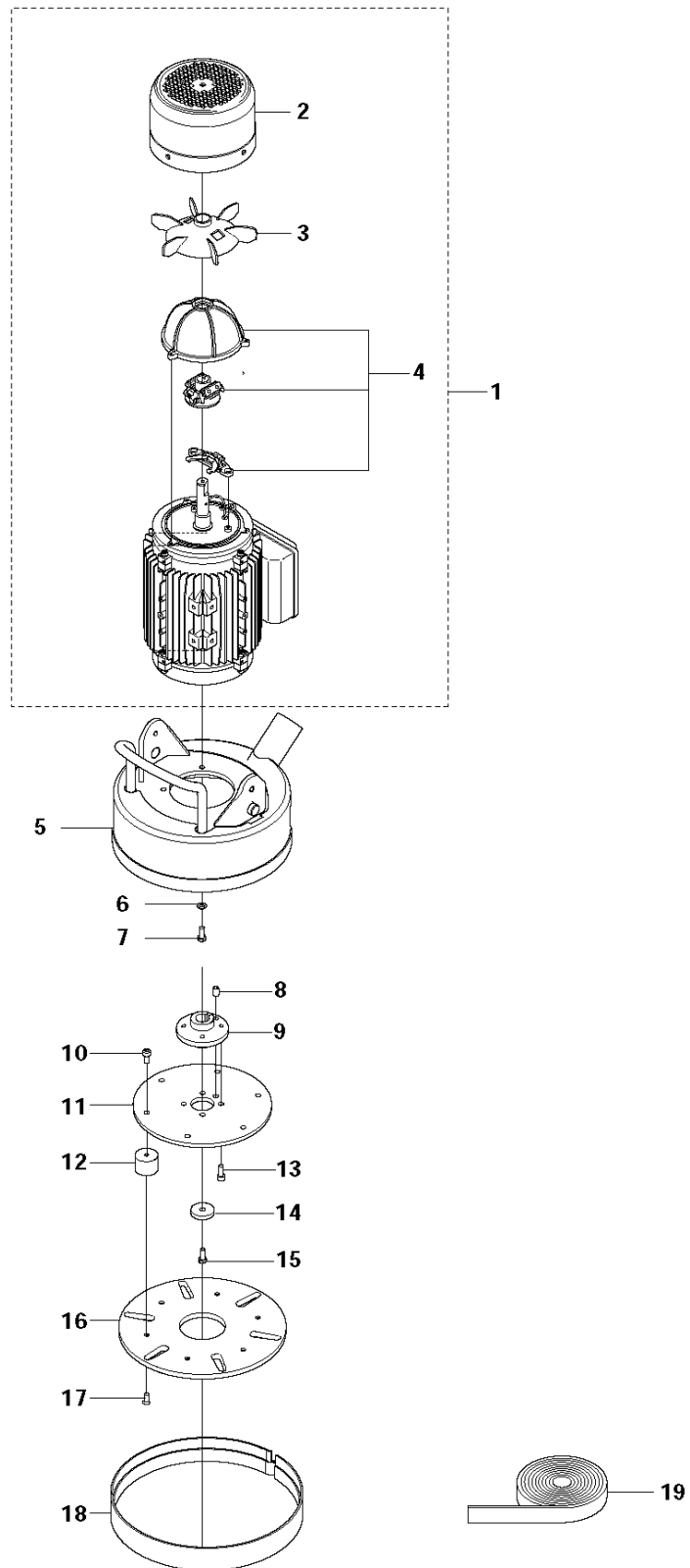


ELECTRIC 3-PHASE

PG 400, from serial number 148 and forward, 2012-05

Ref	Part No	Description	Remark	QTY KIT
1	574 44 11-01	KEY		1
2	531 11 95-36	INBUSSCHLUESSEL 8MM		1
3	522 03 97-01	HAMMER		1
4	574 52 41-01	CABLE ASSY	Australia	1
5	529 31 61-01	CABLE	Incl plug, EU, 3-Phase	1
5	529 31 61-02	CABLE	Incl plug, AUS, 3-Phase	1
5	529 31 61-03	CABLE	Incl plug, US (230V) 3-Phase	1
5	529 31 61-04	CABLE	Incl plug, US (480V) 3-Phase	1
5	529 31 61-05	CABLE	Incl plug, Japan3-Phase	1
5	525 84 19-08	CABLE	incl plug, US (30A) 1-Phase	1
5	525 84 19-03	CABLE	Incl plug, EU, 1-Phase	1
5	525 84 19-09	CABLE	Incl Plug, Brazil, 1-Phase	1
6	525 63 82-01	ELECTRIC BOX		1
7	516 06 21-01	LOCK		1 6
8	510 43 48-01	LED		1
9	516 06 23-01	RESISTOR	EU.AUS,US(480V) 3-Phase	1
10	579 27 64-01	PROTECTION	EU.AUS,US(480V) 3-Phase	1
10	579 02 37-01	PROTECTION	US (230V) 3-Phase	1
10	580 62 35-01	PROTECTION		1
11	725 53 25-01	SCREW IHSCM		1
12	525 63 81-01	FUSE		2
13	525 88 26-01	FUSE HOLDER		1
14	725 52 93-01	SCREW IHSCM		4
15	734 11 36-01	WASHER		4
16	732 25 12-01	HEXAGON LOCKING NUT		4
17	732 25 14-01	HEXAGON LOCKING NUT		1
18	579 27 60-01	CONTACTOR	EU.AUS,US(480V)	1
18	579 27 61-01	CONTACTOR	US (230V)	1
18	579 27 61-01	CONTACTOR	Japan	1
18	584 90 41-01	CONTACTOR	(230V) 1-Phase	1
19	516 06 24-01	SHEET		1
20	725 23 64-71	SCREW EHHM		1
21	734 11 52-01	WASHER		2
22	735 21 53-01	LOCK WASHER		2
23	725 53 64-55	SCREW IHSCM		6
24	731 23 16-01	HEXAGON NUT		2
25	510 43 14-01	CONTACT PLATE		3
26	510 43 15-01	CONTACT PLATE		1
27	510 43 30-01	HOLDER		2
28	510 43 31-01	SIGN		1
29	510 43 11-01	PUSH BUTTON	red	1
30	510 43 16-01	WARNING SIGN		1
31	510 43 13-01	PUSH BUTTON		1
32	510 43 12-01	PUSH BUTTON	Green	1
33	510 43 32-01	SIGN		1
34	510 43 18-01	NUT		2
35	510 43 17-01	STRAIN RELIEVER		2
36	725 23 37-71	SCREW EHHM		4
37	731 23 14-01	HEXAGON NUT		6
38	734 11 45-71	WASHER		6
39	577 81 26-01	TERMINAL BLOCK		1
40	724 12 89-51	SCREW		4
41	580 90 98-01	CAPACITOR		1
42	580 90 97-01	CAPACITOR		1
43	580 90 99-01	ELECTRONIC BOX		1

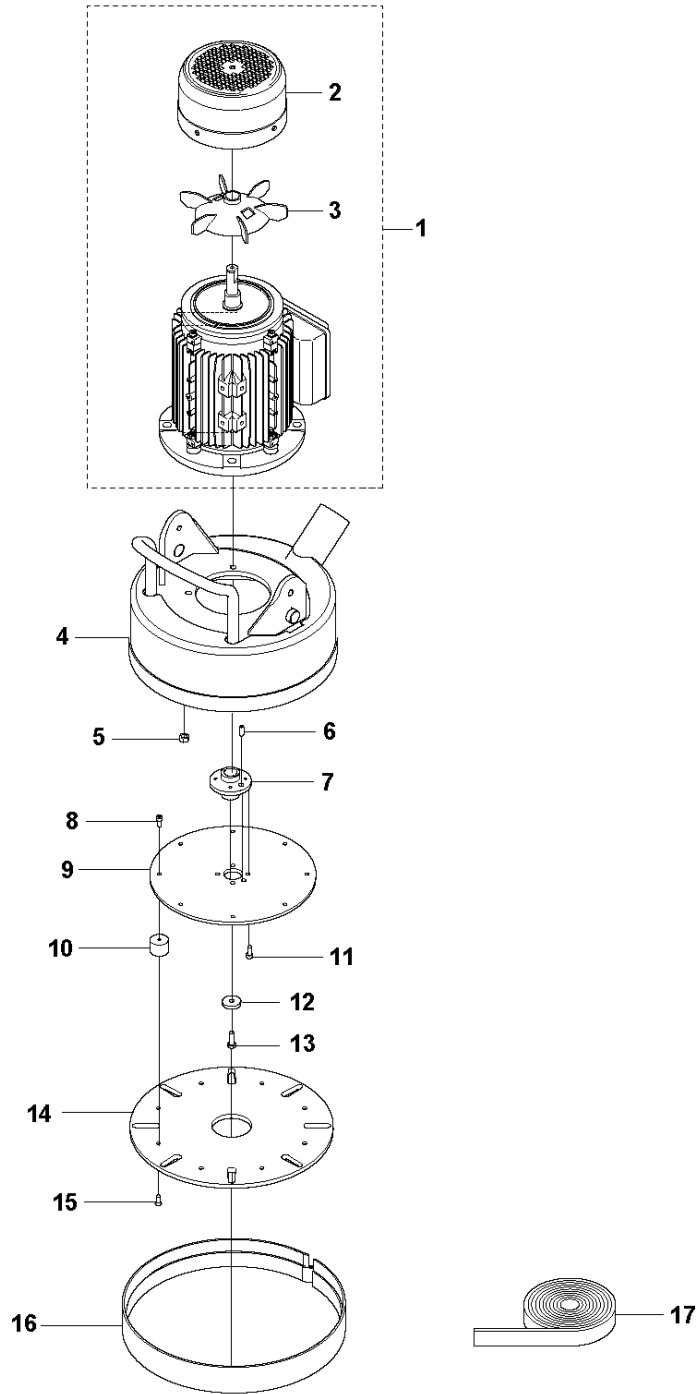
A2 ^{PG400} 1-Phase



GRINDING HEAD AND MOTOR: 1-PHASE PG 400, from serial number 148 and forward, 2012-05

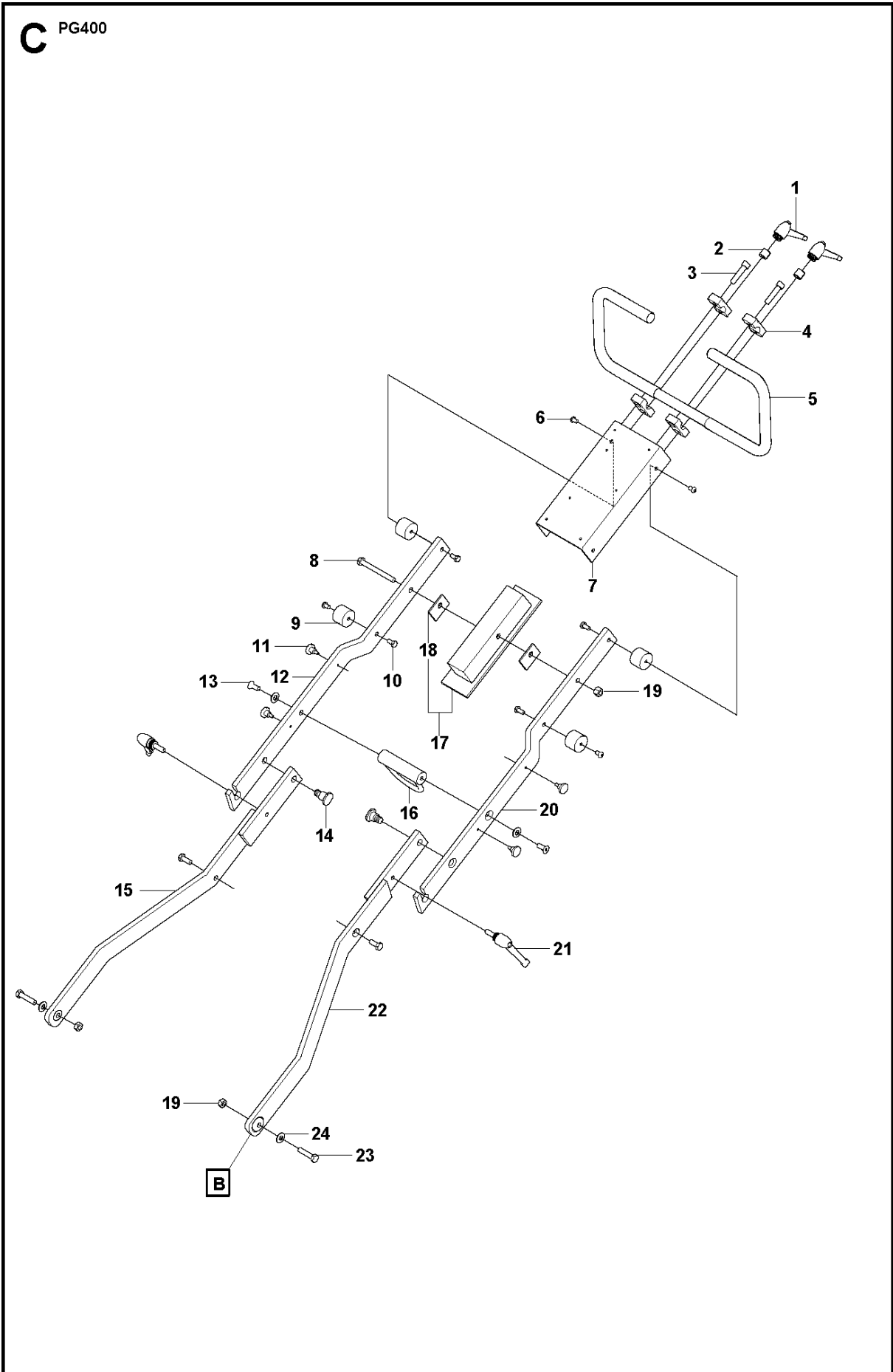
Ref	Part No	Description	Remark	QTY	KIT
1	579 74 82-01	MOTOR	US	1	
1	579 74 81-01	MOTOR	EU	1	
2	580 90 93-01	FAN COVER		1	1
3	580 90 94-01	FAN		1	1
4	580 90 96-01	SWITCH KIT		1	1
5	574 70 31-01	MOTOR BRACKET		1	
6	734 11 63-01	WASHER		4	
7	725 54 55-01	SCREW IHSCM		4	
8	721 44 09-01	PIN		1	
9	510 21 33-01	HUB		1	
10	725 64 47-55	SCREW IHCSFM		6	
11	510 21 30-01	ATTACHMENT PLATE		1	
12	510 21 31-01	RUBBER DAMPER		6	
13	725 54 51-55	SCREW IHSCM		4	
14	510 23 51-01	WASHER		1	
15	725 24 95-71	SCREW EHHM		1	
16	522 67 73-01	HOLDER DISC		1	
17	725 64 49-55	SCREW IHCSFM		6	
18	574 27 20-01	SKIRT		1	
19	525 55 51-01	VELCRO STRIP (HOOK)		1	

A1^{PG400} 3-Phase



GRINDING HEAD AND MOTOR: 3-PHASE PG 400, from serial number 148 and forward, 2012-05

Ref	Part No	Description	Remark	QTY	KIT
1	510 23 22-02	MOTOR		1	
2	577 81 24-02	FAN COVER		1	1
3	577 81 23-01	FAN		1	1
4	574 70 31-02	MOTOR BRACKET		1	
5	731 23 22-01	HEXAGON NUT		4	
6	721 44 09-01	PIN		1	
7	510 21 33-01	HUB		1	
8	725 64 47-55	SCREW IHCSFM		8	
9	510 23 43-01	ATTACHMENT PLATE		1	
10	510 21 31-01	RUBBER DAMPER		8	
11	725 54 51-55	SCREW IHSCM		4	
12	510 23 51-01	WASHER		1	
13	725 24 95-71	SCREW EHHM		1	
14	522 67 74-01	HOLDER DISC		1	
15	725 64 49-55	SCREW IHCSFM		8	
16	574 27 20-02	SKIRT		1	
17	525 55 51-01	VELCRO STRIP (HOOK)		1	



HANDLE BAR AND FRAME

PG 400, from serial number 148 and forward, 2012-05

Ref	Part No	Description	Remark	QTY	KIT
1	510 24 48-01	HANDLE		2	
2	510 22 96-01	SPACER		2	
3	725 55 00-55	SCREW IHSCM		2	
4	510 22 93-01	BRACKET		4	
5	510 22 94-01	HANDLE		1	
6	576 01 38-01	SCREW IHPANM		4	
7	510 22 88-01	FRAME		1	
8	725 25 11-51	SCREW EHHM		1	
9	510 22 78-01	RUBBER DAMPER		4	
10	725 24 49-71	SCREW EHHM		4	
11	510 36 16-01	SCREW		4	
12	510 23 92-01	FORK	Right	1	
13	725 64 93-55	SCREW IHCSFM		2	
14	510 24 09-01	BUSHING		2	
15	510 23 76-01	ARM	Right	1	
16	510 23 94-01	HOSE CLIP		1	
17	574 55 55-02	KIT		1	
18	522 48 72-02	SPACER		2	17
19	732 25 20-01	HEXAGON LOCKING NUT		1	
20	510 23 93-01	FORK	Left	1	
21	510 22 82-01	LOCKING HANDLE		2	
22	510 23 81-01	ARM	Left	1	
23	725 25 00-81	SCREW EHHM		2	
24	734 11 72-01	WASHER		4	